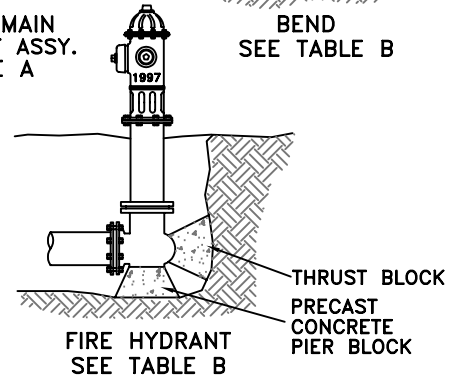
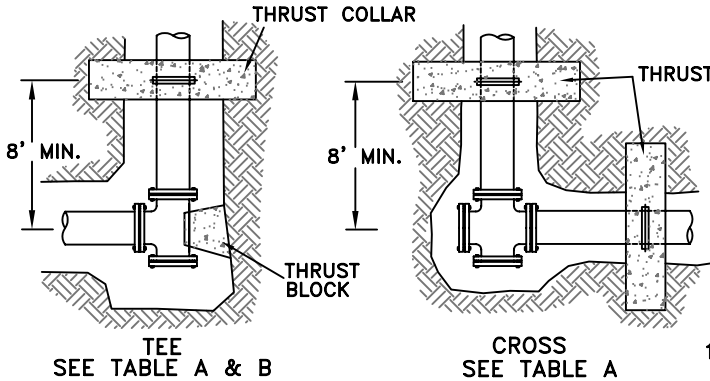
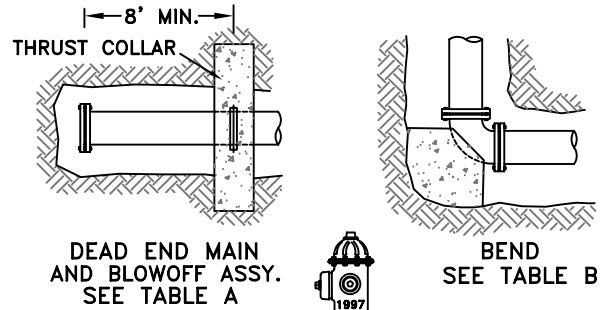
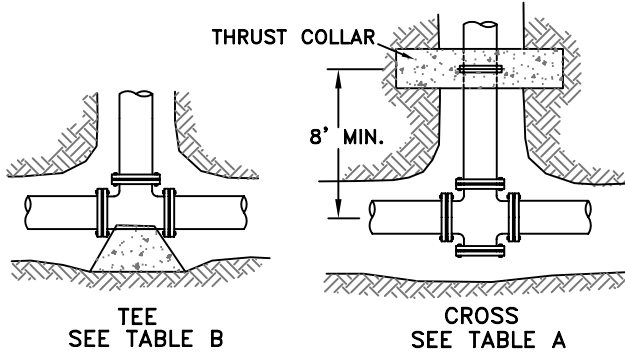


PIPE SIZE	H	W	L
12" AND UNDER	1'-6"	2'	1'-6"
16"	2'	2'	2'-6"
20"	2'-6"	2'	2'-9"
24"	3'	2'	3'

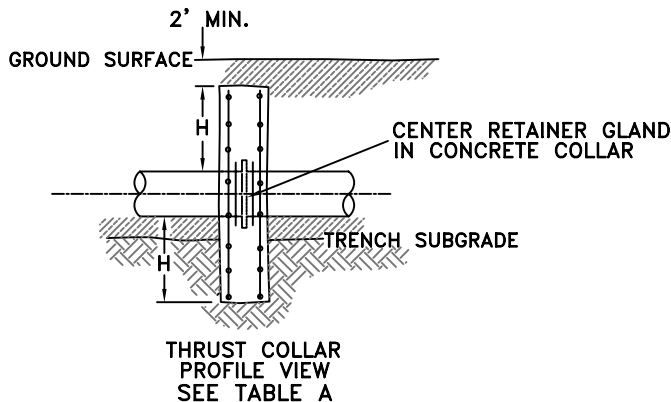
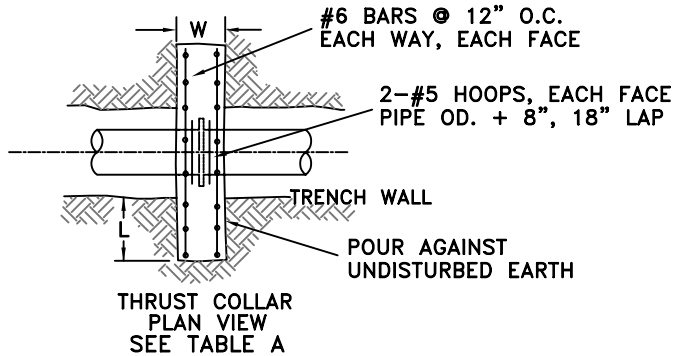
NOTE:
TABLE VALUES ARE BASED ON 200 PSI
WATER PRESSURE AND 2000 PSF SOIL
BEARING CAPACITY.

FITTING SIZE	TEE AND HYDRANT	90° BEND	45° BEND	22-1/2° BEND	11-1/4° BEND
4	1.3	1.8	1.0		
6	2.8	4.0	2.2	1.1	
8	5.0	7.1	3.8	2.0	1.0
10	7.9	11.1	6.0	3.1	1.5
12	11.3	16.0	8.7	4.4	2.2
16	20.1	28.4	15.4	7.8	3.9
20	31.4	44.4	24.0	12.3	6.2
24	45.2	64.0	34.6	17.7	8.9



NOTES:

1. WATER PIPE AND FITTINGS SHALL BE MECHANICALLY OR INTERNALLY RESTRAINED WHERE POSSIBLE IN LIEU OF CONVENTIONAL CONCRETE BLOCKING. DETAILS RELATIVE TO MATERIALS AND LENGTH OF PIPE RUNS TO BE RESTRAINED WILL BE DETERMINED BY THE CITY ENGINEER. THE USE OF CONCRETE BLOCKING WILL BE LIMITED TO CERTAIN APPLICATIONS AND WILL REQUIRE APPROVAL OF THE CITY ENGINEER.
2. WHERE APPROVED, CONCRETE BLOCKING SHALL BE CONSTRUCTED AS SHOWN IN THESE DETAIL DRAWINGS.
3. CONCRETE GRAVITY BLOCKING IS NOT PERMITTED UNDER ANY CIRCUMSTANCES.
4. THE USE OF TIE-BACK RODS WILL REQUIRE APPROVAL OF THE CITY ENGINEER. WHERE APPROVED, TIE-BACK ROD ASSEMBLIES SHALL BE 5/8 INCH MIN. DIA. GALVANIZED STEEL.
5. ALL JOINTS BETWEEN THRUST COLLARS AND FITTING ASSEMBLIES SHALL BE MECHANICALLY RESTRAINED.



CITY OF ALBANY, OREGON
PUBLIC WORKS DEPARTMENT

STANDARD BLOCKING
DETAILS

NO SCALE

FEBRUARY 2000

NO. 501